

4

3

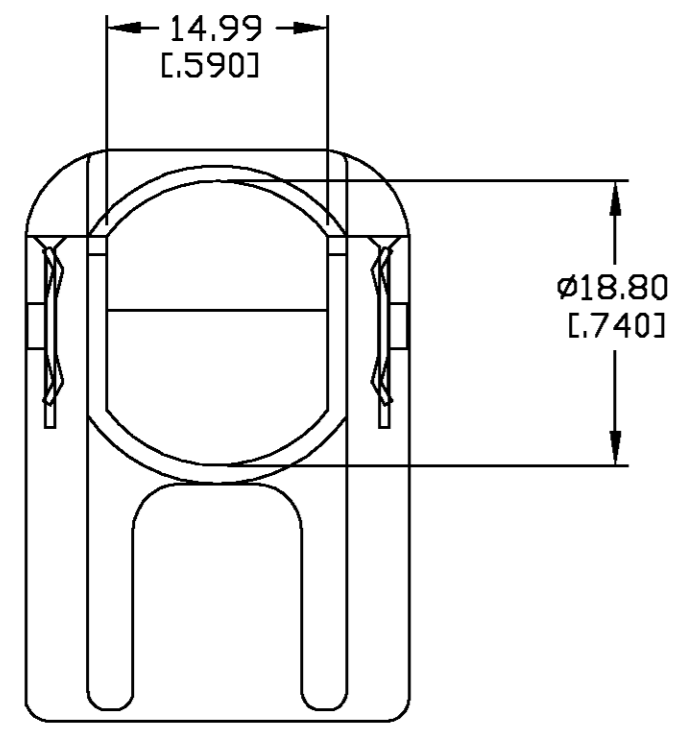
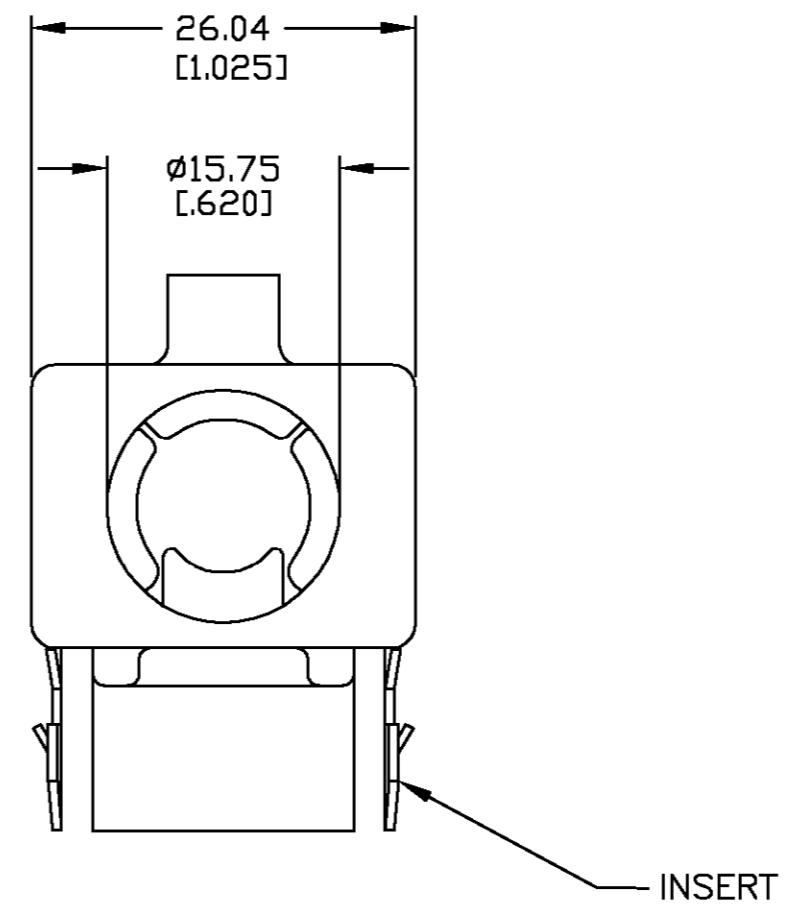
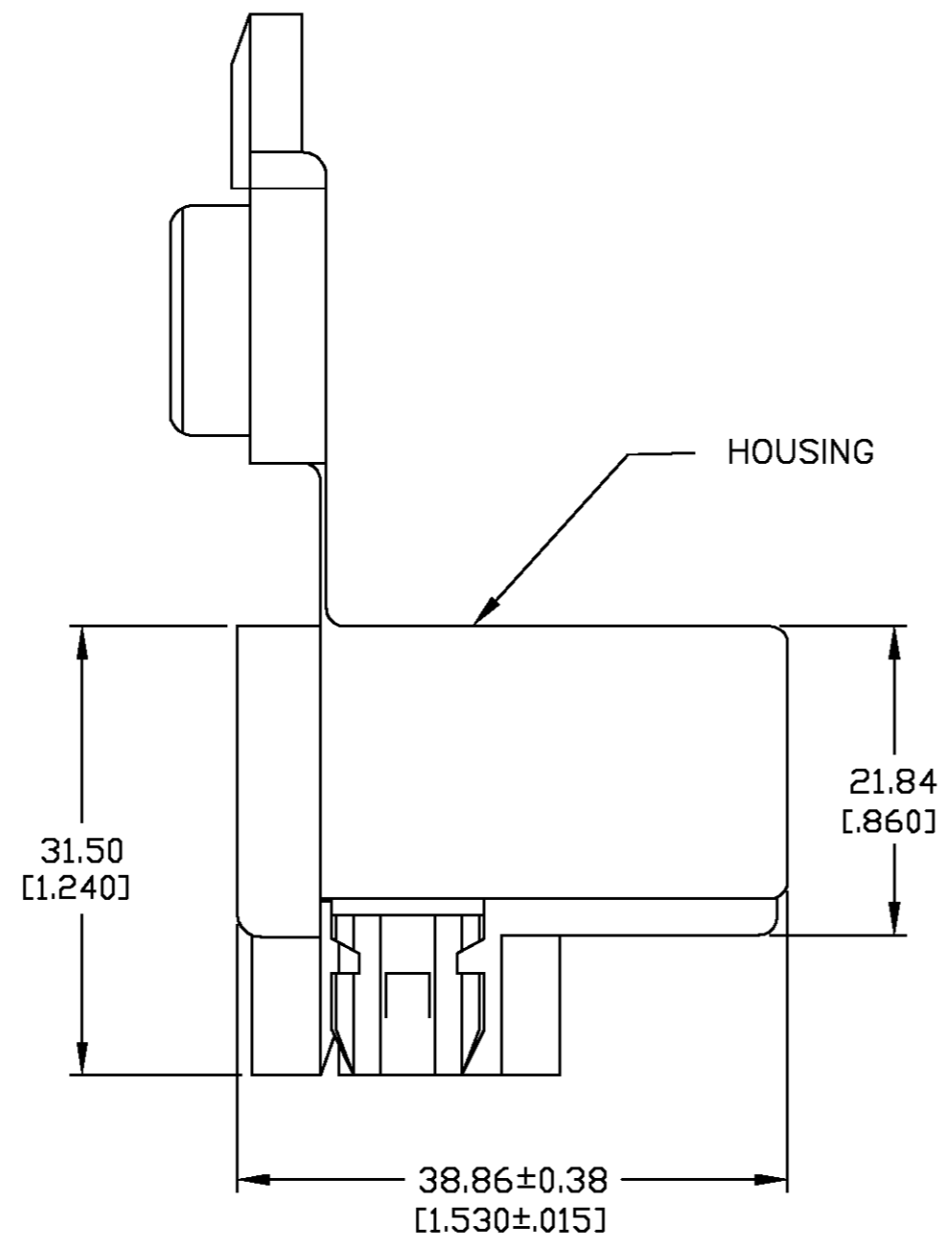
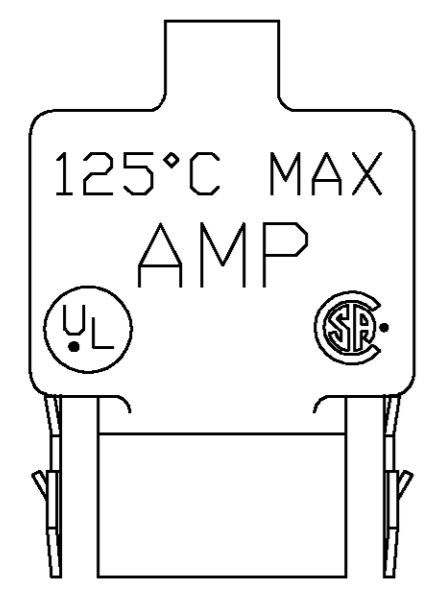
2

1

THIS DRAWING IS UNPUBLISHED. RELEASED FOR PUBLICATION .19  
 © COPYRIGHT 19 BY AMP INCORPORATED. ALL RIGHTS RESERVED.

LOC	DIST	REVISIONS			
P	LTR	DESCRIPTION	DATE	DWN	APVD
AA	27				
	F	REDWN & REV PER EC 0840-0133-00	20JUN00	LMH	LHS

- 1 FITS STANDARD KNOCKOUT 23.01 [ .906 ]  
21.84 [ .860 ] DIA.
- 2 PANEL RETENTION MECHANISM ACCOMMODATES PANEL THICKNESSES FROM 0.81 [ .032 ] TO 2.31 [ .091 ].
- 3 HOUSING: NYLON, BLACK.  
INSERT: CARBON STEEL, 0.64 [ .025 ] THICK.
- 4 INSERT: 15.24μm [ .000600 ] MIN ZINC.



207508-1  
PART NO.

THIS DRAWING IS A CONTROLLED DOCUMENT.		DWN L.HALL 19MAY00	AMP Incorporated Harrisburg, PA 17105-3608	
DIMENSIONS: MM [Inches]		CHK L.H.SMITH 20JUN00	NAME F. LINCOLN	
TOLERANCES UNLESS OTHERWISE SPECIFIED: 0 PLC ± 1 PLC ± 2 PLC ± 0.38 [015] 3 PLC ± 4 PLC ± ANGLES ± FINISH		APVD F. LINCOLN 20JUN00	PRODUCT SPEC	
MATERIAL		APPLICATION SPEC		RESTRICTED TO
3	4	SIZE A2	CAGE CODE 00779	DRAWING NO C-207508
CUSTOMER DRAWING		SCALE 1:1	SHEET 1 OF 1	REV F

207508  
B

A